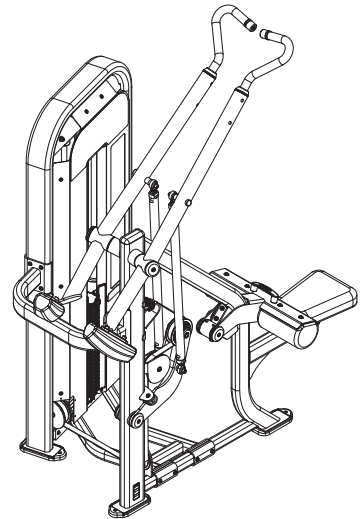
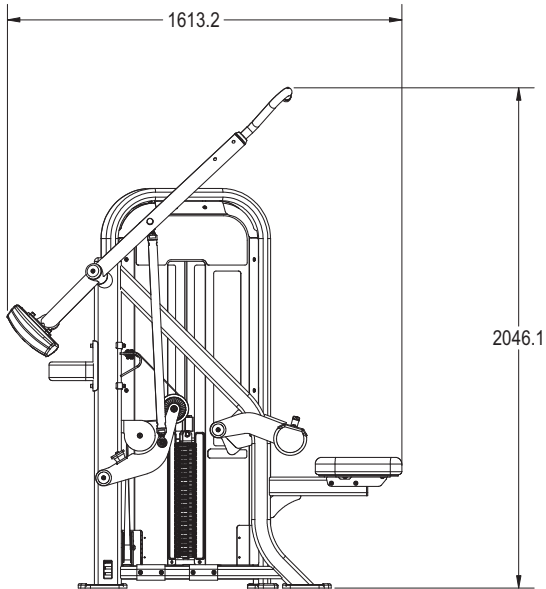
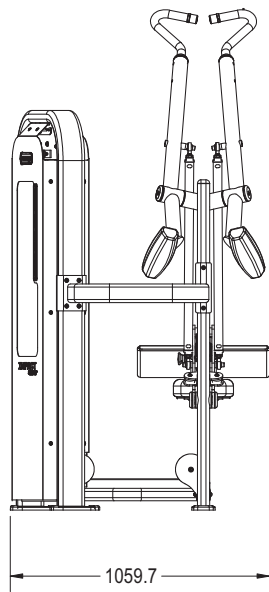


9 8 7 6 5 4 3 2 1

REVISION HISTORY				
REV	DATE	DESCRIPTION	ECO	BY
A	8/01/2012	RELEASED FOR PRODUCTION	13682	KEY

J
I
H
G
F
E
D
C
B
A



NOTICE OF PROPRIETARY INFORMATION
 THIS DOCUMENT SHALL NOT BE REPRODUCED NOR SHALL THE INFORMATION CONTAINED HEREIN BE USED BY OR DISCLOSED TO OTHER EXCEPT AS EXPRESSLY AUTHORIZED BY CORE INDUSTRIES, INC., D.B.A. STARTRAC.

DOCUMENT STATUS:

- NOTES:
- ASSEMBLE AND INSPECT PER SOP 620-7918.
 - INSTALL Kg STICKER AND AFFIX Lb STICKER TO INSIDE OF SHROUD WITH TAPE.

CLASS OF WORK	UNLESS OTHERWISE SPECIFIED DIMS ARE IN mm. TOLERANCES FOR MEASURE OF LENGTH ARE:							ANGLES = ±2°		
	0.5 to 3	> 3 to 6	> 6 to 30	> 30 to 120	> 120 to 400	> 400 to 1000	> 1000 to 2000	> 2000		
FINE	±0.05	±0.05	±0.1	±0.15	±0.2	±0.3	±0.5	----		
MEDIUM X	±0.1	±0.1	±0.2	±0.3	±0.5	±0.8	±1.2	±2		
COARSE	±0.2	±0.3	±0.5	±0.8	±1.2	±2	±3	±4		
VERY COARSE	----	±0.5	±1	±1.5	±2.5	±4	±6	±8		

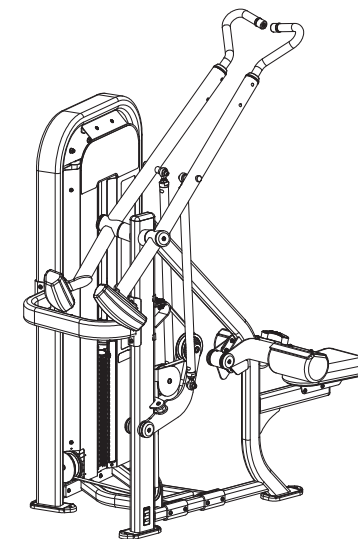
MATERIAL SEE BOM	
FINISH N/A	
VENDOR: N/A	P/N: N/A

THIRD ANGLE PROJECTION		
	INITIAL	DATE
	KEY	8/24/12
CHECKED		
APPROVED		
U.O.M.	MM	

CORE INDUSTRIES, INC. DBA		14410 Myford Road Irvine CA 92606	
		STARTRAC PART NO	REV
		LA-S3303-XXXXS	A
TITLE LA, SSS, FIXED LAT PULL DOWN			
SCALE: 1:20	SHEET 1 OF 9	SHEET SIZE: B	

9 8 7 6 5 4 3 2 1

9				8				7				6				5				4				3				2				1			
ITEM NO.	PART NUMBER	DESCRIPTION	Default/ QTY.	ITEM NO.	PART NUMBER	DESCRIPTION	Default/ QTY.	ITEM NO.	PART NUMBER	DESCRIPTION	Default/ QTY.	ITEM NO.	PART NUMBER	DESCRIPTION	Default/ QTY.	ITEM NO.	PART NUMBER	DESCRIPTION	Default/ QTY.	ITEM NO.	PART NUMBER	DESCRIPTION	Default/ QTY.	ITEM NO.	PART NUMBER	DESCRIPTION	Default/ QTY.	ITEM NO.	PART NUMBER	DESCRIPTION	Default/ QTY.				
1	4900-0440	PULLEY,BELT,4.75D,3/8B,1.5W,MOLDED	4	46	731-3112	SHROUD,OUTSIDE,TALL,IMP	1	91	731-3970	BELT, FL	1	92	731-3971	SCREW,M10 X 1.5,105MM,BHC,HK	1	93	731-3972	SHAFT,D-SHAPE,79.5MM	1	94	731-3973	MACHINE WASHER 20MM ID	2	95	731-4780	STICKER,LOCK N LOAD,IMPACT	1	96	731-4881	WINDOW,IMP,MEDIUM	1				
2	4900-0620	PULLEY,BELT,4.75D,3/8B,1.74W,MOLDED	2	47	731-3113	BRKT,SHROUD,IMP	6	97	731-4894	NUT,M16X1.5, NYLOC, ZP	1	98	731-4963	PLACARD,IMPACT,FIXED LAT	1	99	731-5161	STICKER, IMPACT STRENGTH	1	100	731-5188	STICKER,KNEE ADJ,IMP	1	101	731-5190	PLATE, ADJ, THIGH IMP	1	102	731-5218	WINDOW,INSIDE,IMP,MEDIUM	1	103	731-5645	GUIDE ROD,Ø22MM X 1363MM	2
3	4900-0626	TAPE, 3M VHB 5925	600	48	731-3114	BRKT, SHROUD, UPPER,IMP	2	99	731-5161	STICKER, IMPACT STRENGTH	1	100	731-5188	STICKER,KNEE ADJ,IMP	1	101	731-5190	PLATE, ADJ, THIGH IMP	1	102	731-5218	WINDOW,INSIDE,IMP,MEDIUM	1	103	731-5645	GUIDE ROD,Ø22MM X 1363MM	2								
4	731-0033	NUT, RIVET,M8 X 1.25	1	49	731-3115	HOUSING,PLASTIC,WGT STACK,IMP	2	100	731-5188	STICKER,KNEE ADJ,IMP	1	101	731-5190	PLATE, ADJ, THIGH IMP	1	102	731-5218	WINDOW,INSIDE,IMP,MEDIUM	1	103	731-5645	GUIDE ROD,Ø22MM X 1363MM	2												
5	731-0040	STOP,Ø50X26,RUBBER	2	50	731-3116	BRKT,MOUNT,LOWER,INCR CHNL,IMP	1	101	731-5190	PLATE, ADJ, THIGH IMP	1	102	731-5218	WINDOW,INSIDE,IMP,MEDIUM	1	103	731-5645	GUIDE ROD,Ø22MM X 1363MM	2																
6	731-0113	ASSY,2.5Kg,ADD ON	1	51	731-3118	COVER,SHROUD,RIGHT, IMP	1	102	731-5218	WINDOW,INSIDE,IMP,MEDIUM	1	103	731-5645	GUIDE ROD,Ø22MM X 1363MM	2																				
7	731-0124	CAP,GUIDE ROD,RUBBER	2	52	731-3122	BRKT,MOUNT,UPPER,INCR.CHAN,IMP.	1																												
8	731-0137	BEARING,52 OD,25 ID,X 15MM	4	53	731-3323	STICKER,IMP,130 KG	1																												
9	731-0141	BEARING,47 OD,20 ID,X 14MM	2	54	731-3391	BELT CLAMP BODY	1																												
10	731-0169	SCREW, M8X1.25,20MM, BHC, HK	6	55	731-3392	PLATE,THREADED,BELT CLAMP	1																												
11	731-0173-00XX	ASSY,KNEE PAD,STD	2	56	731-3393	BELT CLAMP PLATE	2																												
12	731-0195	ASSY, HANDLE ADJ, STARTRAC	1	57	731-3394	TOP PLATE,BELT BRKT,IMP	1																												
13	731-0209	CAP, END, 110 X 50	1	58	731-3396	SHROUD CENTER SUPPORT	1																												
14	731-0235	SCREW,M8 X 1.25,75mm,BHC,HK	4	59	731-3410	WELD,ADD ON,LONG	2																												
15	731-0287	NUT,M8x1.25,NYLOCK	6	60	731-3417	ASSY,WGT STK,130kG	1																												
16	731-0350	SCREW,M10 X 1.5,25mm,SHC,HK	4	61	731-3466	ASSY,LEV, BIG PIN	1																												
17	731-0354	SCREW,M8 X 1.25,25MM,HMM,HE	6	62	731-3522	SCREW,M8 X 1.25,110mm,BHC,HK,NP	3																												
18	731-0355	WASHER,PLAIN,M8,NARROW	60	63	731-3540	PIN,BELT CLAMP	1																												
19	731-0359	SCREW,M8 X 1.25,25mm,BHC,HK	6	64	731-3541	CLIP,BELT CLAMP PIN	2																												
20	731-0363	NUT,M10X1.5,NYLOC	4	65	731-3554	SCREW,M6X1.0,35MM,BHC,HK	4																												
21	731-0365	NUT,M8 X 1.25,NYLOC JAM	23	66	731-3557	BOLT PLATE,FLAT,52X105 HS	1																												
22	731-0367	WASHER,PLAIN,M10	24	67	731-3559	SCREW,M10 X 1.5,65MM,BHC,HK, NP	3																												
23	731-0371	SCREW,M10 X 1.5,70MM,BHC,HK	2	68	731-3606	CLAMSHELL,50.8X 85 HS,NO BREATHER	2																												
24	731-0373	WASHER,PLAIN,M6	8	69	731-3773	PLATE, BELT CLAMP, IMP	2																												
25	731-0381	HOUSING,LOGO,STARTRAC	1	70	731-3792-00XX	ASSY,UPHOLSTERY,SEAT	1																												
26	731-0390	SCREW,M8 X 1.25,25mm,SHC,HK	4	71	731-3796	ASSY,STOP,MOUNT,ADD ON,IMP	1																												
27	731-0397	SCREW,M8 X 1.25,25mm,FHM,HK	6	72	731-3834	SCREW,M6X1.0,55MM,BHC,HK	1																												
28	731-0398	SCREW,M8 X 1.25,70mm,BHC,HK	6	73	731-3874	HOUSING,WGT FRAME,NAME,SHORT	1																												
29	731-0513	STICKER,STAR TRAC,DECO,45MMX191MM	1	74	731-3914	ASSY WELD, MAIN FRAME, S3303	1																												
30	731-0517	STICKER, WARNING, BOLT DOWN	1	75	731-3927	WF CONNECTOR,LOWER,FL	1																												
31	731-0532	SCREW,M8 X 1.25,12MM,HMM,HE	2	76	731-3931	ARM ASSY,FIXED LAT,RH	1																												
32	731-0570	SCREW,M8 X1.25,16mm,SHC,HK	7	77	731-3937	ARM ASSY,FIXED LAT,LH	1																												
33	731-0705	HAT, SPACER, 25 OD X 20 ID	2	78	731-3942	ASSY WELD, PULLEY LINK, S3303	1																												
34	731-1050	BUSHING, JFM-2026-15, IGUS	2	79	731-3948	WF CONNECTOR,UPPER,FL	1																												
35	731-1265	CAP,END,65MM,NO GROOVE	7	80	731-3950	ASSY,KNEE PAD ADJUST	1																												
36	731-1363	NUT, M6X1.0, NYLOC	5	81	731-3952	SHAFT,20MM,D.3303	1																												
37	731-1448	NUT,M8x1.25,ACORN	1	82	731-3953	COUNTERWEIGHT,10KG	2																												
38	731-1852	SCREW,M10 X 1.5,30MM,SHCS,HK,NP	4	83	731-3954	BASE,HANDLE GRIP,ARMS,IMP	2																												
39	731-1904	END CAP	2	84	731-3955	ASSY,WGT FRAME,TALL,IMP	1																												
40	731-1917	TRIM RING,GRIP	2	85	731-3957	STICKER,NAME,FIXED LAT PULL DOWN	1																												
41	731-1932	RIVET,5MM	12	86	731-3959	GRIP, FL	2																												
42	731-1933	RIVET, PUSH TYPE	16	87	731-3962	ASSY, TIE ROD	2																												
43	731-2180	SCREW,M8 X 1.25,135MM,SHC,HK	2	88	731-3964	SHAFT, ARM MOUNT, IMP	2																												
44	731-2647	FOOT,LONG,LEVERAGE	4	89	731-3965	CLAMSHELL,50MM SHORT	2																												
45	731-3110	SHROUD,INSIDE,TALL,IMP	1	90	731-3969	ASSY,WELD,SEAT MOUNT	1																												

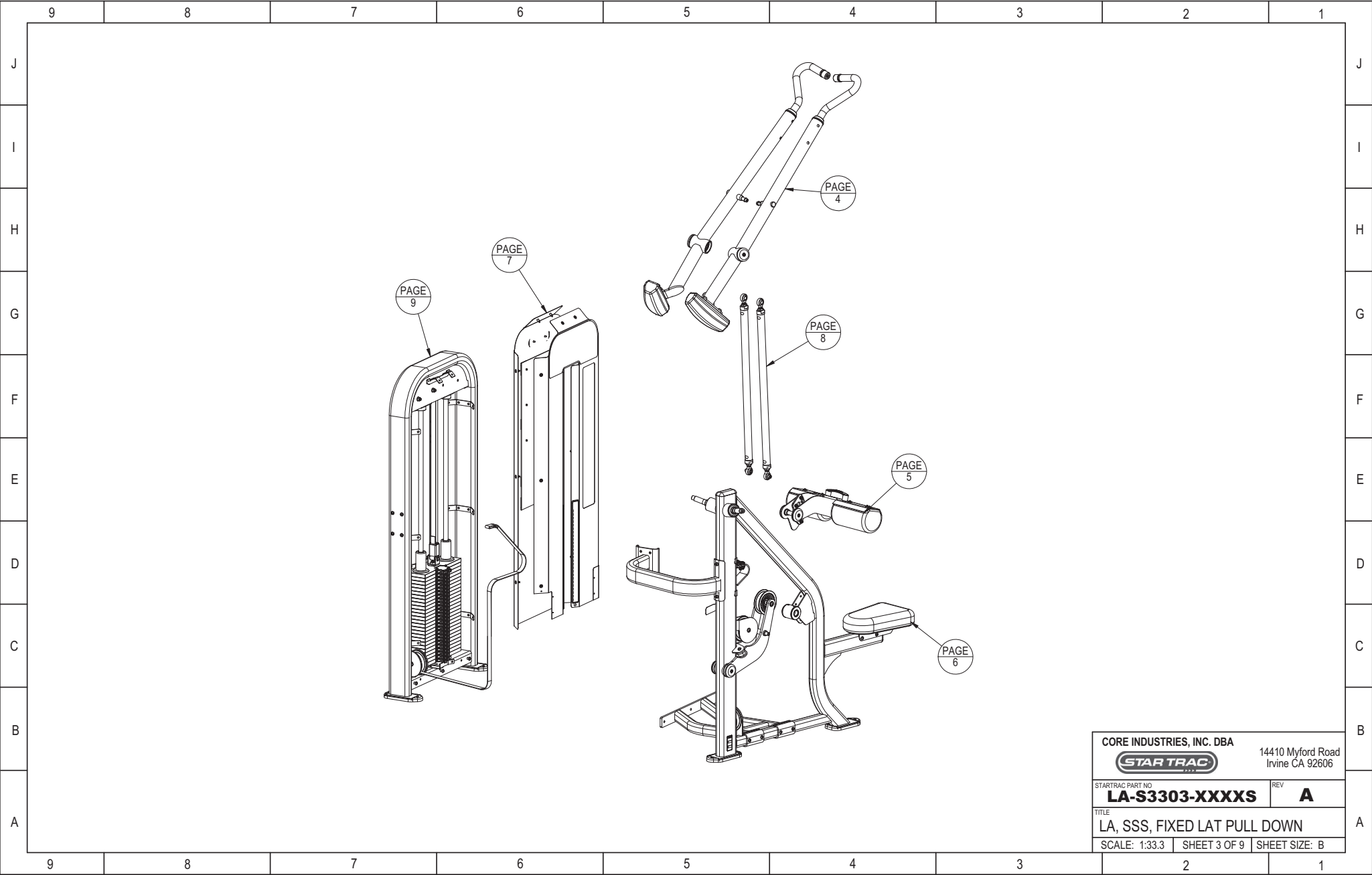


CORE INDUSTRIES, INC. DBA
STAR TRAC
 14410 Myford Road
 Irvine CA 92606

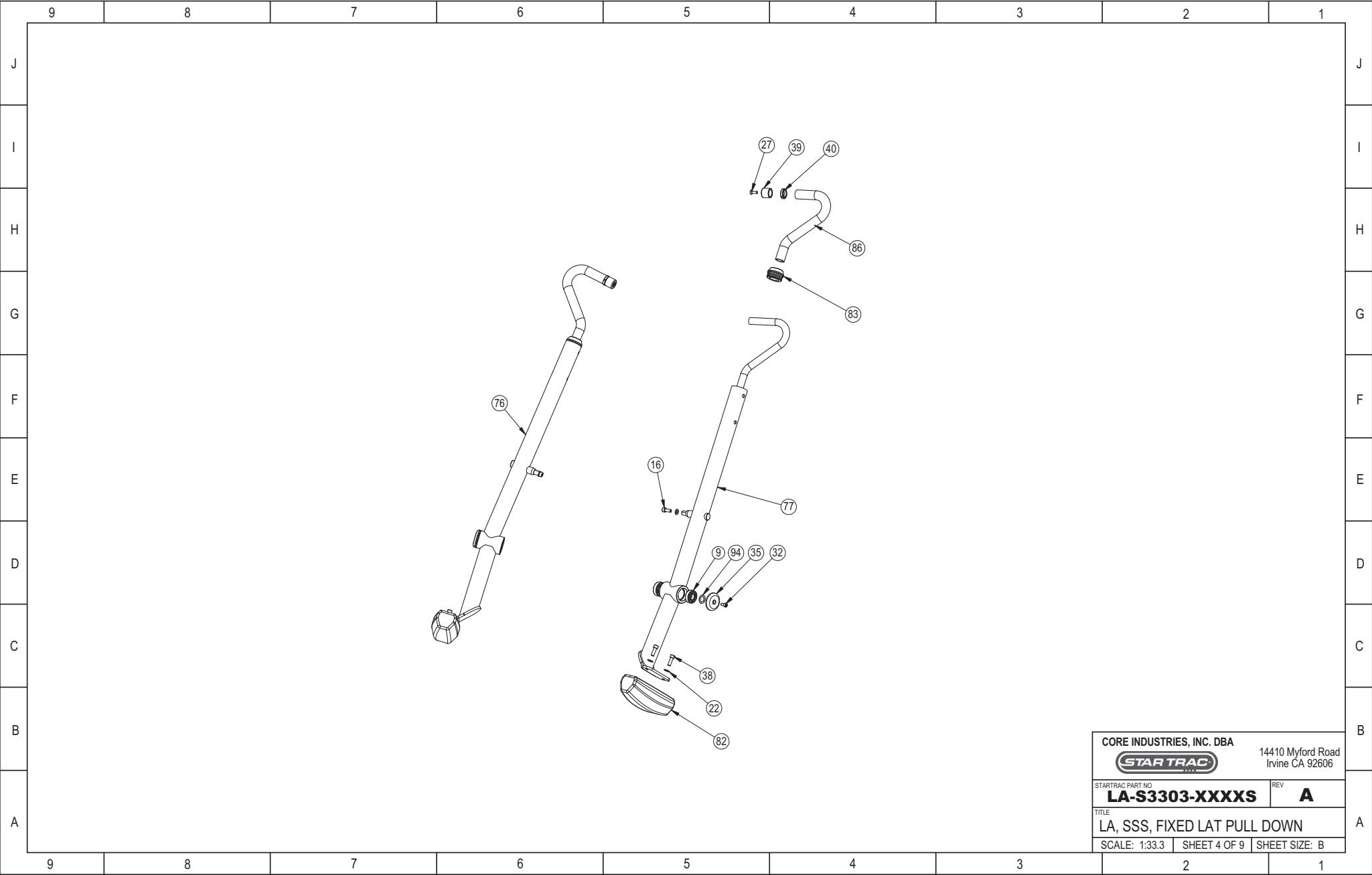
STARTRAC PART NO
LA-S3303-XXXXS REV **A**

TITLE
LA, SSS, FIXED LAT PULL DOWN

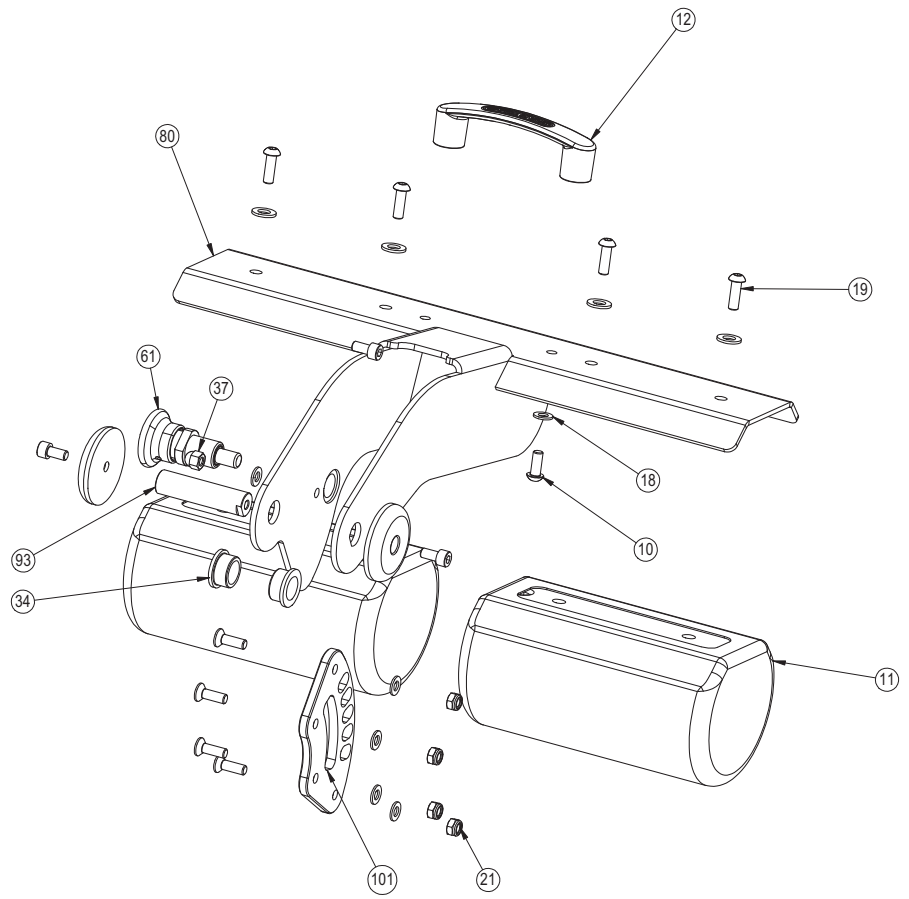
SCALE: 1:20 SHEET 2 OF 9 SHEET SIZE: B




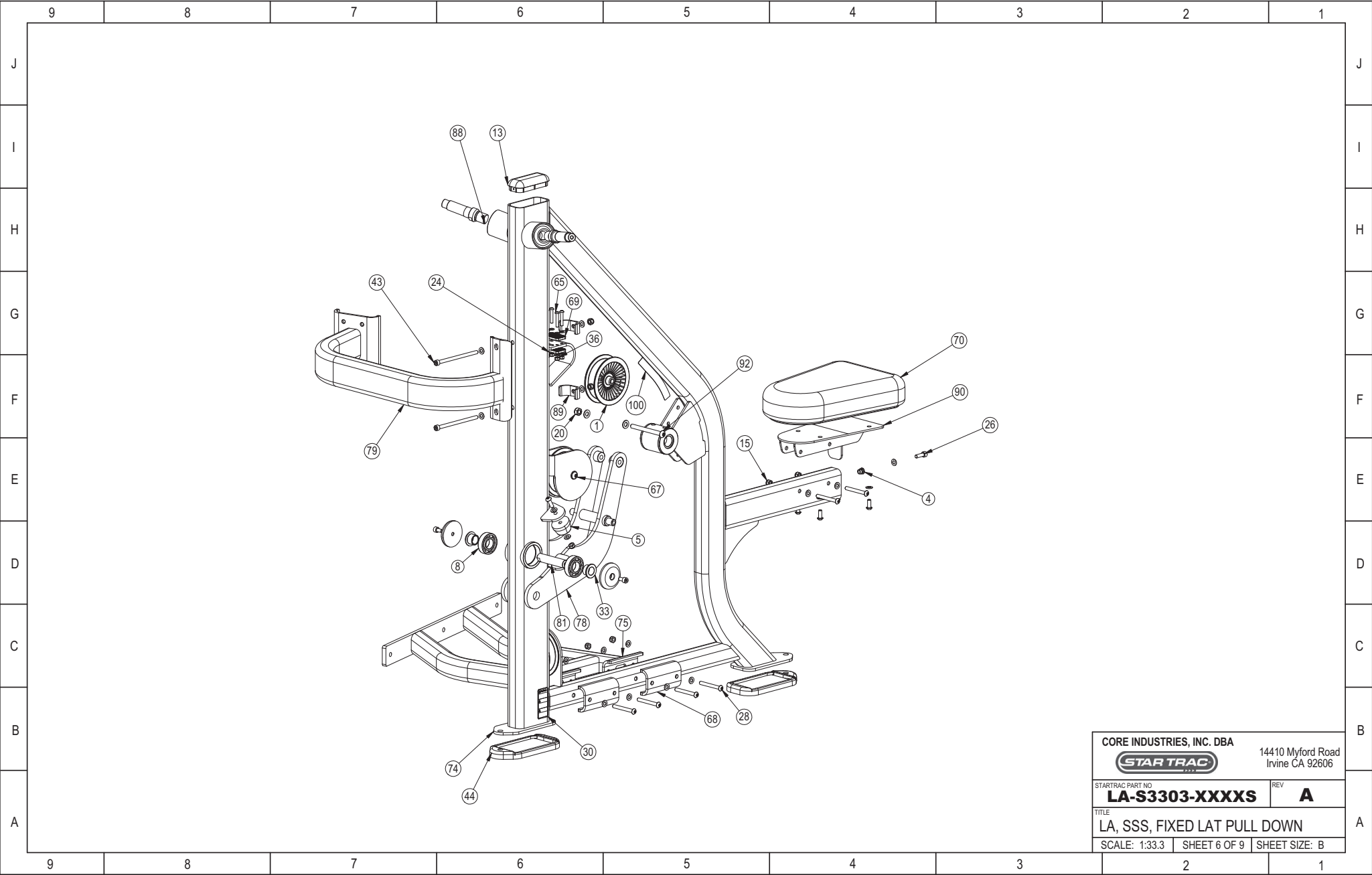
CORE INDUSTRIES, INC. DBA		14410 Myford Road
		Irvine CA 92606
STARTRAC PART NO	LA-S3303-XXXXS	REV A
TITLE LA, SSS, FIXED LAT PULL DOWN		
SCALE: 1:33.3	SHEET 3 OF 9	SHEET SIZE: B



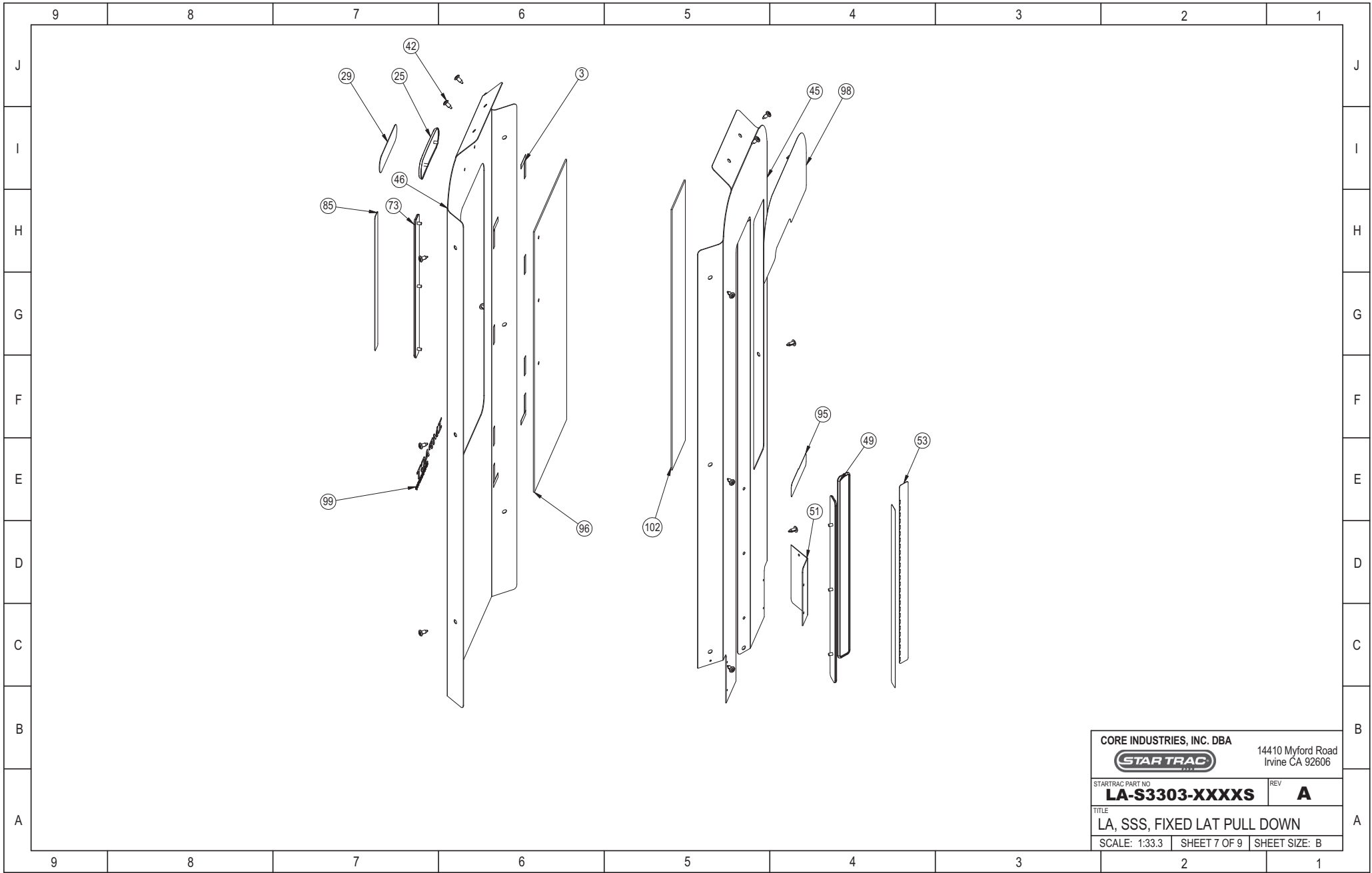
CORE INDUSTRIES, INC. DBA		14410 Myford Road
		Irvine CA 92606
STARTRAC PART NO	REV	
LA-S3303-XXXXS	A	
TITLE		
LA, SSS, FIXED LAT PULL DOWN		
SCALE: 1:33.3	SHEET 4 OF 9	SHEET SIZE: B



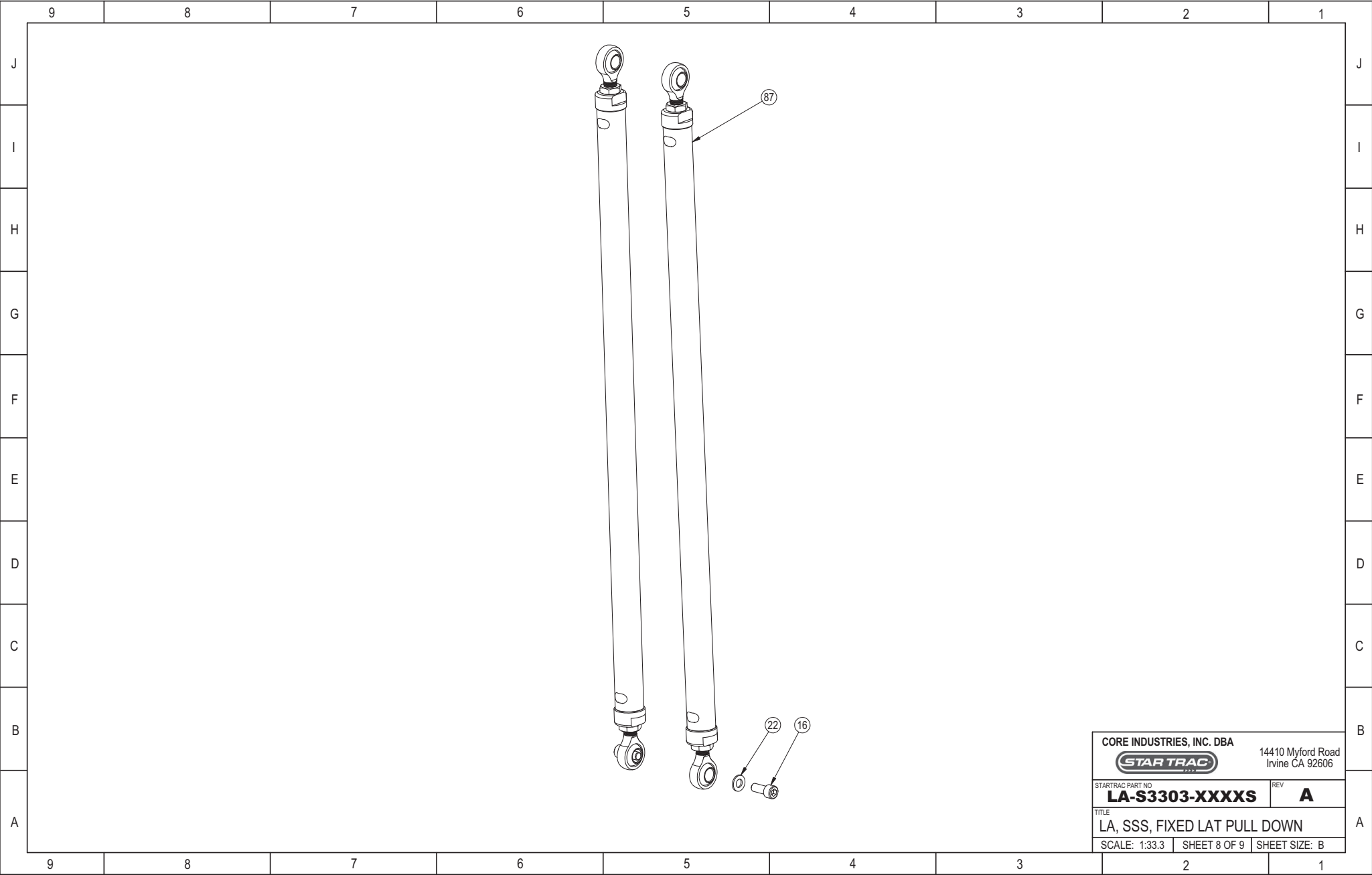
CORE INDUSTRIES, INC. DBA		14410 Myford Road
		Irvine CA 92606
STARTRAC PART NO	REV	
LA-S3303-XXXXS	A	
TITLE		
LA, SSS, FIXED LAT PULL DOWN		
SCALE: 1:33.3	SHEET 5 OF 9	SHEET SIZE: B




CORE INDUSTRIES, INC. DBA		14410 Myford Road
		Irvine CA 92606
STARTRAC PART NO	REV	
LA-S3303-XXXXS	A	
TITLE		
LA, SSS, FIXED LAT PULL DOWN		
SCALE: 1:33.3	SHEET 6 OF 9	SHEET SIZE: B



CORE INDUSTRIES, INC. DBA		14410 Myford Road
		Irvine CA 92606
STARTRAC PART NO	REV	
LA-S3303-XXXXS	A	
TITLE		
LA, SSS, FIXED LAT PULL DOWN		
SCALE: 1:33.3	SHEET 7 OF 9	SHEET SIZE: B



CORE INDUSTRIES, INC. DBA		14410 Myford Road
		Irvine CA 92606
STARTRAC PART NO	REV	
LA-S3303-XXXXS	A	
TITLE		
LA, SSS, FIXED LAT PULL DOWN		
SCALE: 1:33.3	SHEET 8 OF 9	SHEET SIZE: B

